

Vidalia Onion

- 1612 - Medium Sconce
- 1613 - Small Sconce
- 1610 - Large Post
- 1611 - Medium Post

Project Name _____

Fixture Type _____

Quantity _____

Norwell Lighting

I L E X

Custom Metalcraft



Small Sconce
1613-BL-CL



Medium Sconce
1612-GM-CL

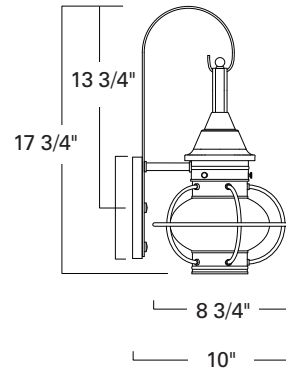


Medium Post
1611-CO-CL

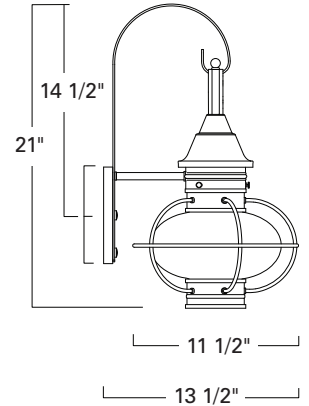


Large Post
1610-SI-CL

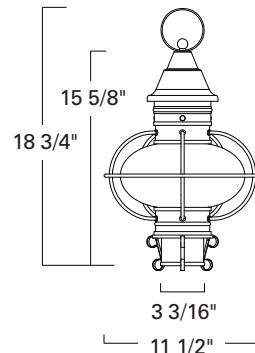
1613 Small Sconce



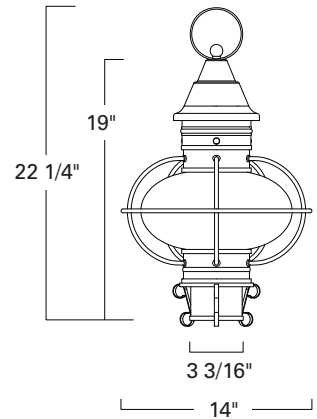
1612 Medium Sconce



1611 Medium Post



1610 Large Post



SOLID BRASS and COPPER

Product Name / Model / Dimensions					Finish Options	Glass	Lamping Options
Vidalia Small Sconce - 1613					Standard Copper / CO* Black / BL Gun Metal / GM Sienna / SI *Copper finish is only available for Small Sconce 1613 & Medium Post 1611 COOPER FINISH IS 	Standard Clear / CL	Standard Incandescent (1) 100 Watt Edison
Vidalia Medium Sconce - 1612							
Vidalia Large Post - 1610							
Vidalia Medium Post - 1611							
	Height	Width	Projection	TTO			
1613	17.75"	8.75"	10"	13.25"			
1612	21"	11.5"	13.5"	13.25"			
1610	22"	14"					
1611	18.75"	11.5"					
1612 Backplate 7 3/4 H X 5 3/4 W							
1613 Backplate 6 3/4 H X 4 3/4 W							

Wet Location, Outdoor Rated and UL/ETL Listed

REV-1-2021

DISCLAIMER:

Norwell Lighting and its companies, ILEX Architectural Lighting and Custom Metalcraft reserve the right to change specifications related to its product at anytime. USA Made indicates product is manufactured in East Taunton, Massachusetts facility. Phone: 508-823-1751